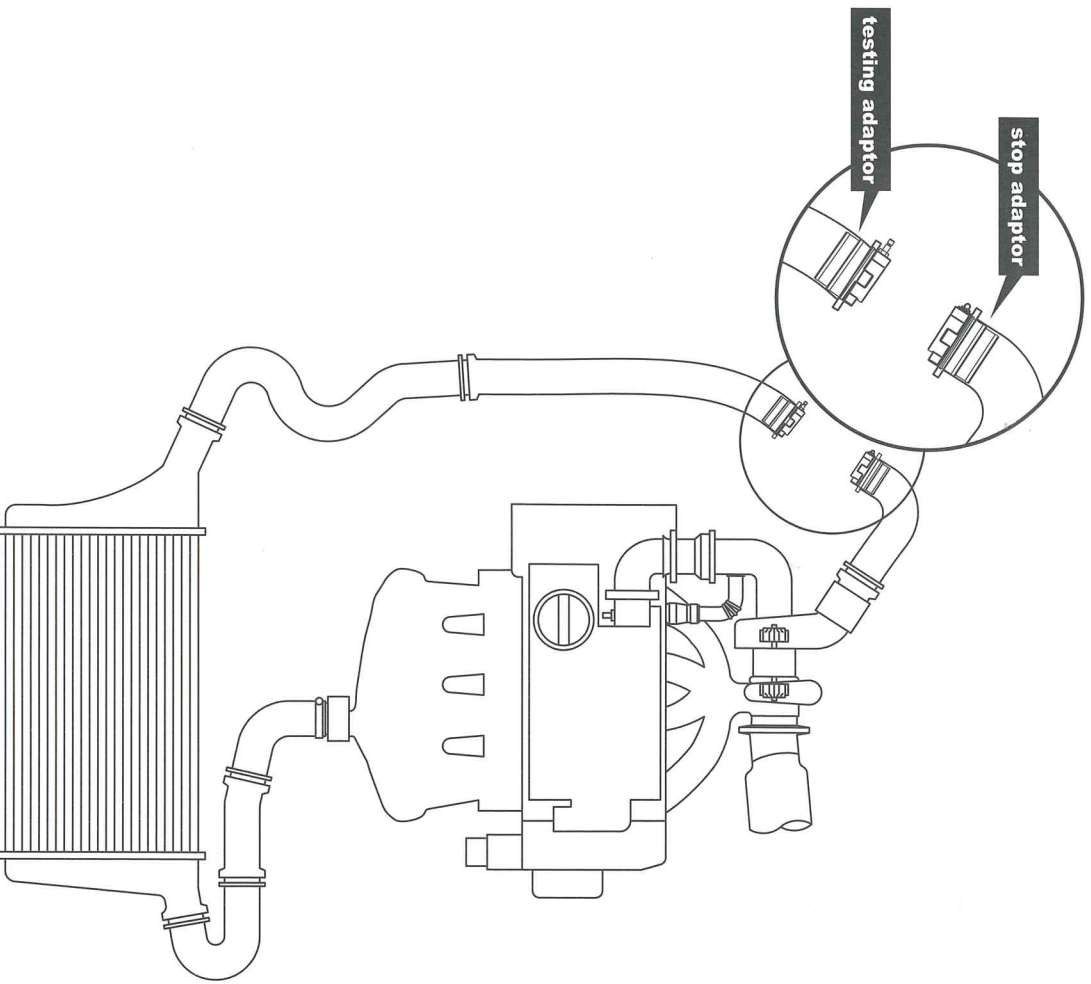
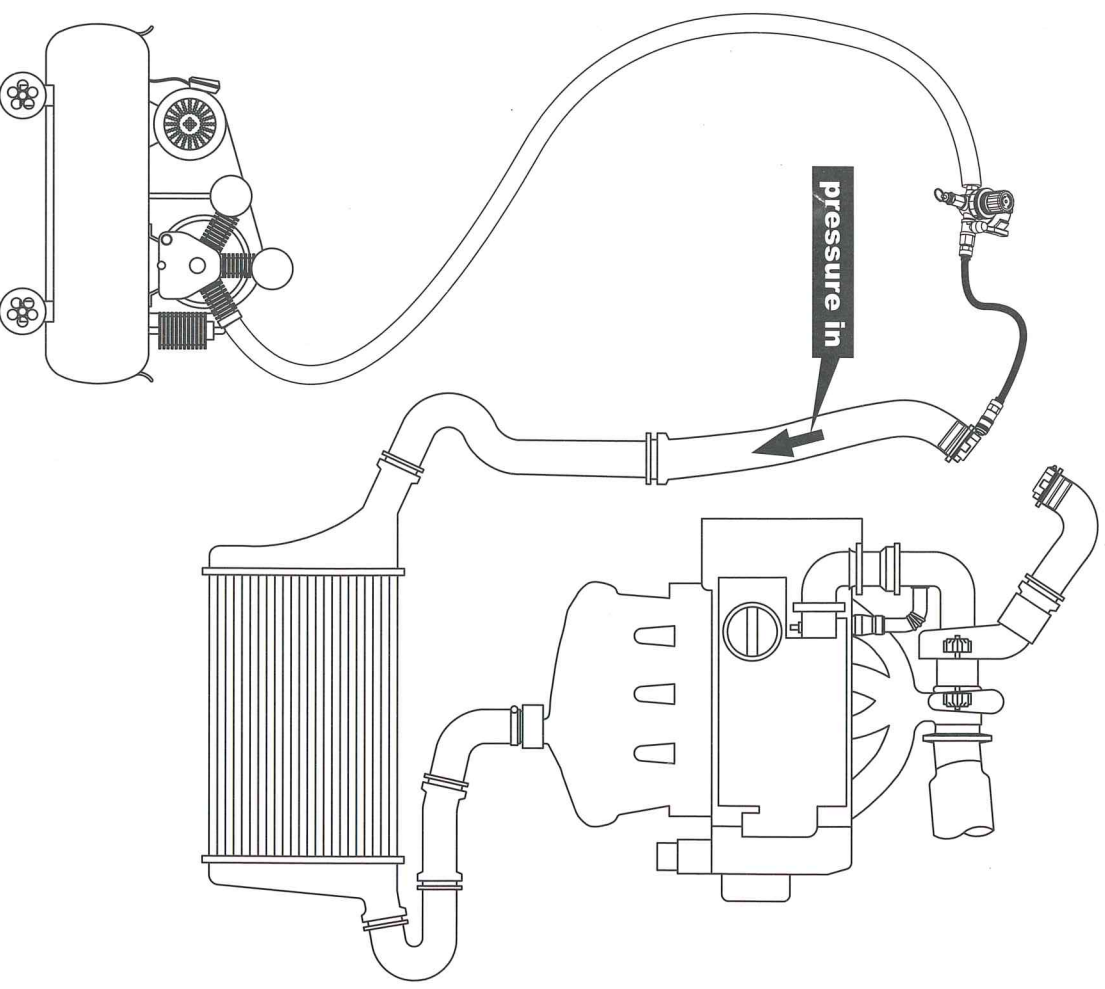
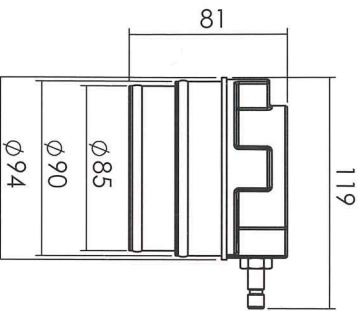
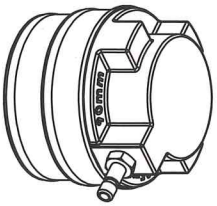
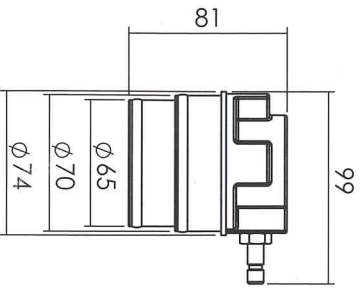
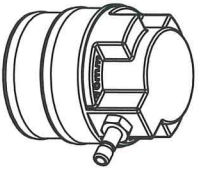
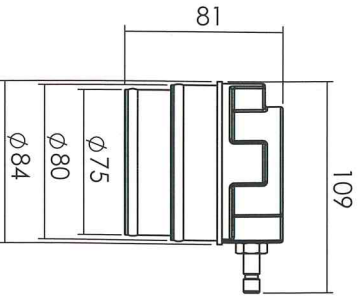
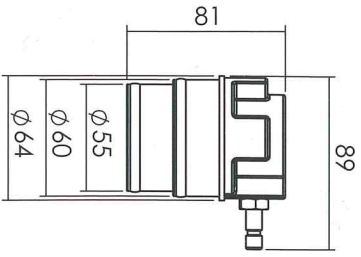
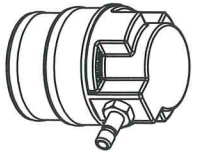


Plug in stop adaptor and testing adaptor from the selection.



Pressurize system to check leakage





Identify disconnecting point

